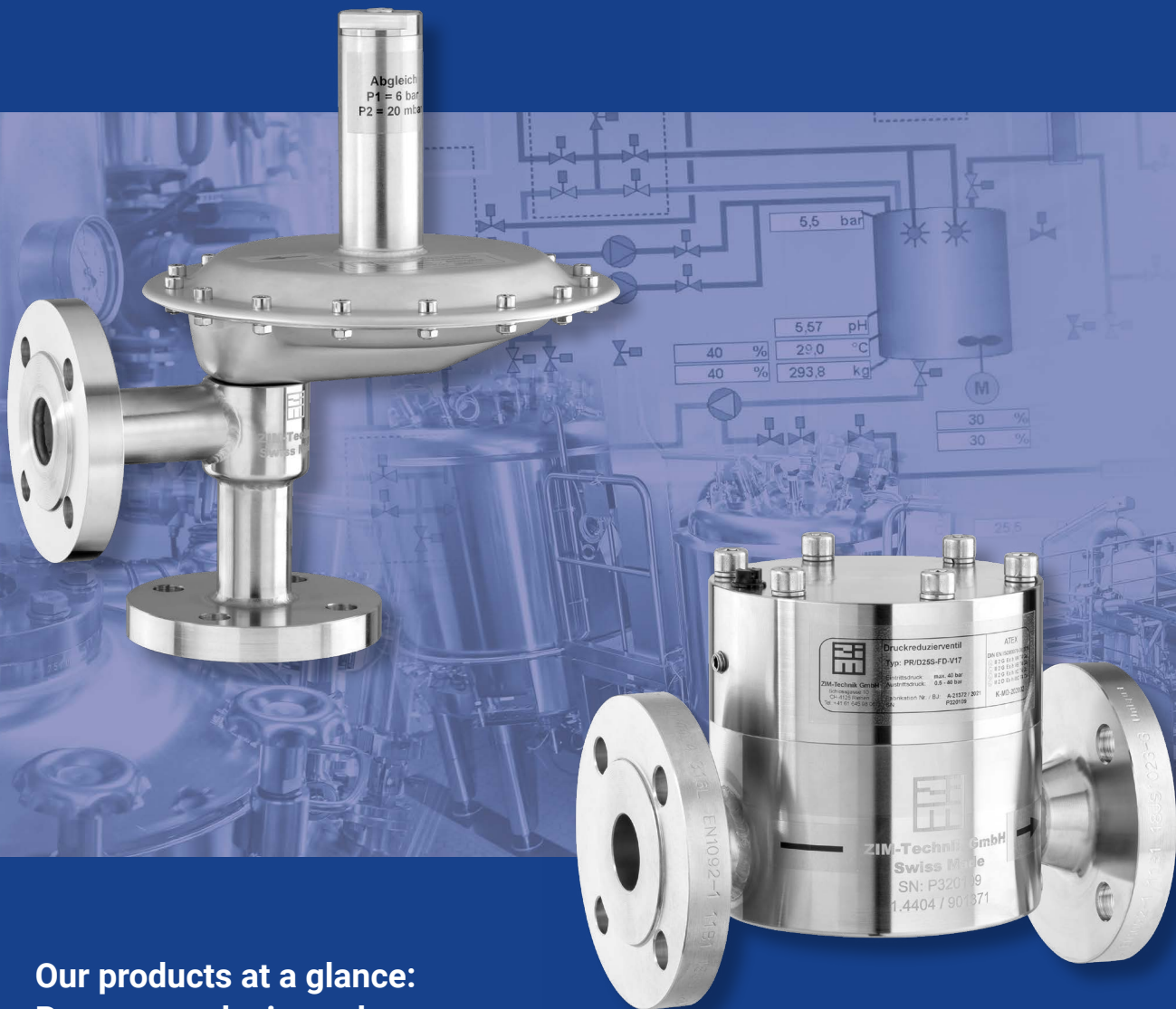




ZIMMERLI
MESSTECHNIK AG
Since 1974

Zimmerli pressure regulators – Swiss precision for your processes

Our pressure regulators are used worldwide in the pharmaceutical and cosmetics industries, biotechnology, food production, chemicals and numerous other industrial applications. Developed and manufactured in-house in Switzerland.



Our products at a glance:
Pressure reducing valves
Non return valves
Pressure relief valves
Vacuum Breaker



Low-pressure regulators

Pressure reducing valves and relief valves

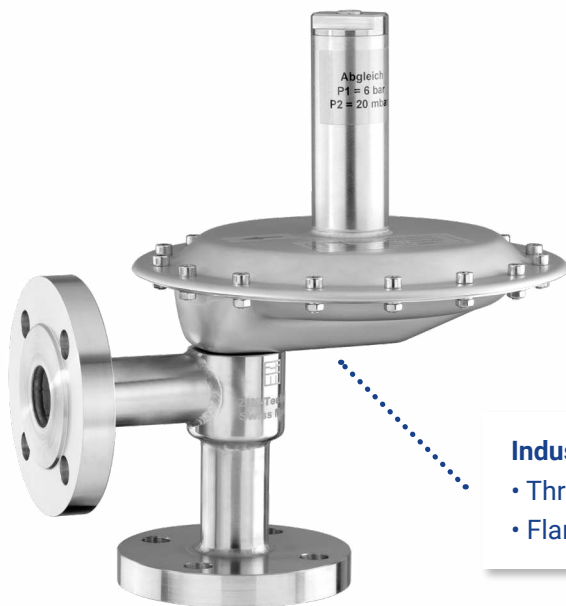
Type: inline ZM-R and ZM-B, angle valve LPR and LPS

Low-pressure regulators regulate pressure automatically, to a high degree of precision and without auxiliary energy. They are ideally suited for inertisation and inert gas blanketing, guaranteeing reliable processes without admitting atmospheric oxygen. In addition to gases, they allow precise control of pure liquids as well.

- Precise low-pressure control (+/- 1 mbar)
 - Kv 0.04 to 13.1
 - Inlet pressure: max. 16 barg
 - Control range: -1000 mbar to +2500 mbar
 - Nominal diameters: DN 15 to 50/ANSI ½" to 2"
 - Nominal pressure: PN 16/40, ANSI Class 150/300/600 lbs
-
- Self-acting, no auxiliary power required
 - Significantly reduces inert gas consumption
 - Vacuum-proof
 - Stainless steel 1.4404 or Hastelloy C276
 - Design: Inline/Angle
 - Sealing materials: PTFE, FFKM, FKM
 - Valve seat tightness: DIN EN 12266-1, P12, Class A



- Hygienic surfaces up to $Ra \leq 0.8 \mu m$
- Hygienic connection types: Tri-Clamp, sterile connector and many more

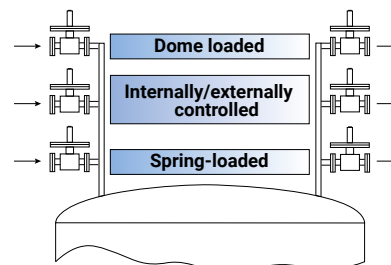


Industrial connection types:

- Thread
- Flange



- LPR25 DN25
- ZM-R15 DN15
- ZM-R25 DN25
- ZM-R50 DN50



- LPS25 DN25
- ZM-B15 DN15
- ZM-B25 DN25
- ZM-B50 DN50

Low-pressure regulators

Pressure reducing valves and relief valves made of plastic (PP, PVDF)

Type: LPRK and LPSK

These plastic low-pressure regulators are specially designed for use with corrosive or chemically reactive gases. They offer a robust, durable solution for processes in which conventional materials reach their limits. LPRK and LPSK regulators ensure precise pressure control under the most challenging chemical conditions.

- Precise low-pressure control (+/- 1 mbar)
 - Kv 0.95 to 6.5
 - Inlet pressure: max. 6 barg
 - Control range: -1000 mbar to +1500 mbar
 - Nominal diameters: DN 25, ANSI 1"
 - Nominal pressure: PN 6
-
- Self-acting, no auxiliary power required
 - Significant minimisation of inert gas consumption
 - Vacuum-proof
 - PP or PVDF
 - Design: Angle
 - Sealing materials: PTFE, FFKM, FKM
 - Valve seat tightness: DIN EN 12266-1, P12, Class A

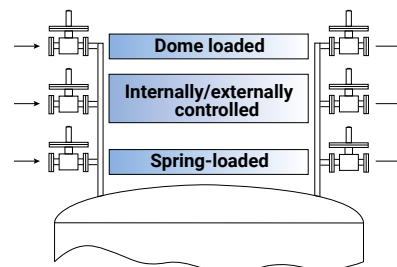


wetted parts PP

wetted parts PVDF



LPRK25 DN25
 ZM-R15 DN15
 ZM-R25 DN25
 ZM-R50 DN50



LPSK25 DN25
 ZM-B15 DN15
 ZM-B25 DN25
 ZM-B50 DN50

Medium pressure regulators

Pressure reducing valves and relief valves

Type: PR and PPR

Our medium pressure regulators, made of stainless steel 1.4404 or Hastelloy C276, combine utmost precision with robust construction.

They are the ideal choice for processes that call for stable pressure conditions in the medium range.

- Self-acting, no auxiliary power required
 - Precise pressure reduction or pressure holding
 - High regulation sensitivity
 - Design: Inline
 - Sealing materials: PTFE, FKM, FFKM
-
- Precise medium-pressure control
 - Kv 1.1 to 13.1
 - For high flow rates
 - Inlet-pressure: max. 16/40 barg
 - Control range: 0 to 40 barg
 - Nominal diameters: DN 15 to 50/ANSI ½" to 2"
 - Nominal pressure: PN 16/40
ANSI Class 150/300/600 lbs



Industrial connection types:

- Thread
- Flange



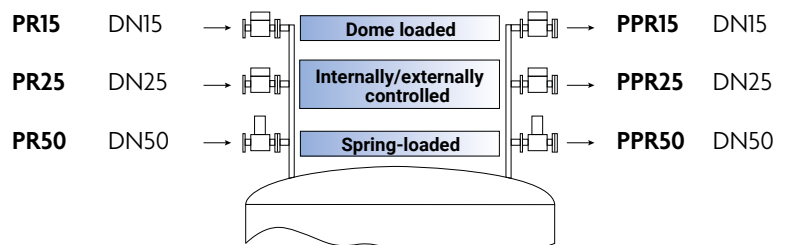
Hygienic connection types:

- Tri-clamp
- Sterile flange
- KF flange

Hygienic surfaces up to

$Ra \leq 0.8 \mu m$

- For sterile liquid and gas applications



Non return valves

Non return valves

Type: ZM-B/R and PRR

Non return valves PRR and ZM-B/R are automatic controllers for preventing backflow of gases and liquids and are used in situations where backflow is to be avoided. Durable construction in stainless steel 1.4404 or Hastelloy C276.

- Self-acting, no auxiliary power required
 - Protection against backflow and cross-contamination
 - Reliable, low-maintenance, durable
 - Design: Inline
 - Sealing materials: PTFE, FKM, FFKM
-
- Kv 1.1 to 60
 - Valve seat tightness: DIN EN 12266-1, P12, Class A
 - Test connections for checking functioning of the installed state
 - 0 to 16/40 bar ANSI/Class 150/300/600 lbs

Backflow shut-off valves for the bar range



Backflow shut-off valves for the mbar range



PRR15 DN15
PRR25 DN25
PRR50 DN50
PRR100 DN100



ZM-B/R15
ZM-B/R25
ZM-B/R50

Our experience is your added value

Personal commitment

At Zimmerli Messtechnik AG, you receive not only high-quality products, but also personal support and reliable assistance in the specification of our pressure regulators. With experience, technical expertise, and reliability, we support you as a partner – for customised solutions you can rely on.

Special features of our products

Wide range of process connections

DIN/ANSI flange, thread, Tri-Clamp, aseptic connection, KF connections and many more on request

Hygienic surfaces

up to $Ra \leq 0.8 \mu m$

Quality promise

reliable, low-maintenance, durable

Wide range of applications

for pure gases (such as air, oxygen, nitrogen, argon, hydrogen) and liquids

Certificates

ATEX, FDA, USP Class VI, oil-free, and much more.

Typical applications of our pressure regulators

With our self-acting pressure regulators (no auxiliary energy required), you can reliably safeguard your processes – from tank venting and inerting to cleaning and sterilization, as well as Big Bag protection and controlled atmospheres in isolators and gloveboxes.

Precision, safety, and versatility make our solutions a reliable partner for smooth operation in every application.

ZIMMERLI MESSTECHNIK AG

Schlossgasse 10
CH-4125 Riehen

Tel: +41 61 645 98 00

info@zimmerliag.com
www.zimmerliag.com

*YOU CAN FIND ALL THE
INFO ON OUR WEBSITE*

